

4

3

2

1

THIS DRAWING IS UNPUBLISHED.

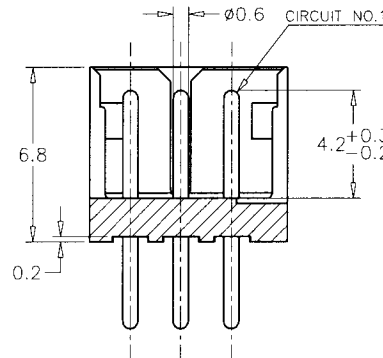
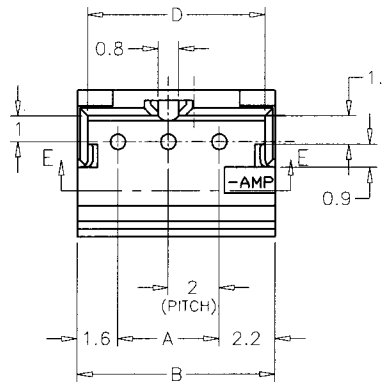
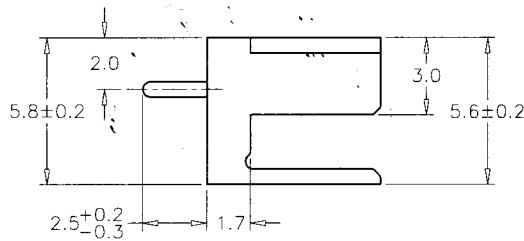
RELEASED FOR PUBLICATION

© COPYRIGHT BY TYCO ELECTRONICS CORPORATION. ALL RIGHTS RESERVED.

LOC FB DIST 00

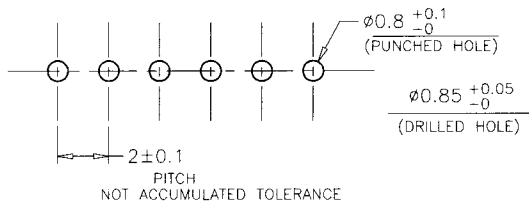
REVISIONS

P	LTR	DESCRIPTION	DATE	DWN	APVD
0		RELEASED FB00-0013-03	23JAN03	J.J	T.S



NOTES:

- 1 MATERIAL : HOUSING-66 NYLON (UL94V-0)
POST -TIN BRASS
- 2 THIS PRODUCT IS SHORT TIME OF P/N 292132
- 3 APPLICABLE RECEPTACLE : P/N 173977



3 POS.
(SECT. E-E)

BLUE	2-292135-3	3	4	7.8	—	7.0
NATURAL (WHITE)	292135-3	3	4	7.8	—	7.0
COLOR	P/N	POS.	A	B	C	D

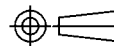
RECOMMENDABLE P.C. BOARD LAYOUT
(PCB THK : 0.8-1.6)

TOLERANCES UNLESS OTHERWISE SPECIFIED:

10**	: ±0.2
30**>10	: ±0.25
100**>30	: ±0.3
ANGEL	: ±3°

THIS DRAWING IS A CONTROLLED DOCUMENT.

DIMENSIONS: MM



MATERIAL SEE NOTE

TOLERANCES UNLESS OTHERWISE SPECIFIED:

0 PLC	±
1 PLC	-
2 PLC	-
3 PLC	-
4 PLC	-
ANGLES	±

FINISH SEE NOTE

DWN	S.XU	31JAN03
CHK	S.YAO	31JAN03
APVD	T.SASAKI	31JAN03
PRODUCT SPEC	108-60016	
APPLICATION SPEC		
WEIGHT	-	
CUSTOMER DRAWING		

tyco Tyco Electronics Corporation
SHANGHAI, CHINA, 200233

NAME
POST HEADER ASS'Y (BOX-V TYPE) SHORT TIME
AMP CT CONNECTOR 2mm PITCH

SIZE	CAGE CODE	DRAWING NO	RESTRICTED TO
A3	00779	©=292135	-
SCALE	5:1	SHEET	1 OF 1
REV	0		